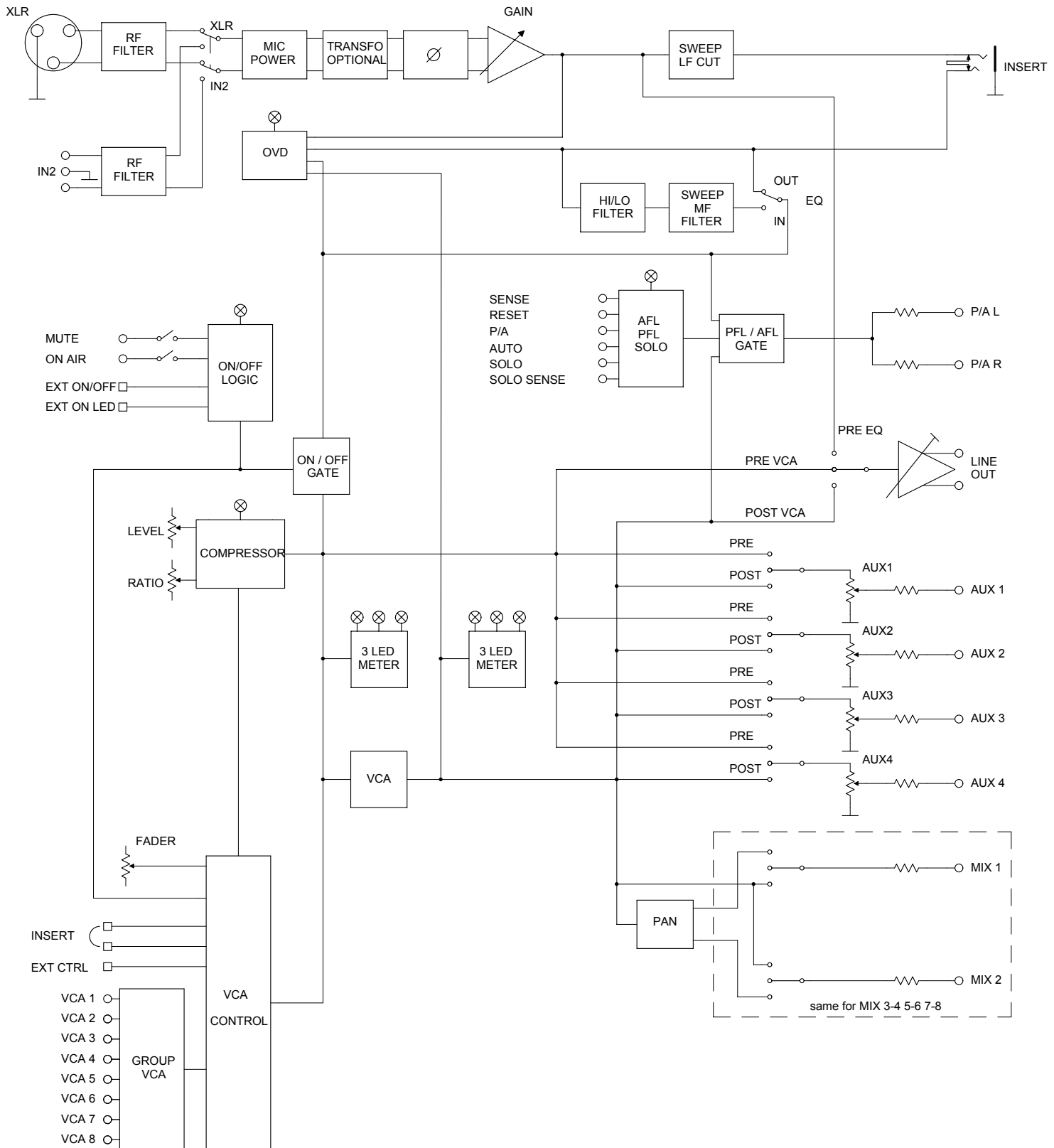


SONOSAX SX-ST/VT VCA MIC/LINE INPUT



Contact arrangements with view on solder termination side

Improvement may cause change of features and specifications without notice 1106

SX-ST/VT CONNECTORS

CORRESPONDING CABLE CONNECTOR

.....
.....
.....
.....
.....